

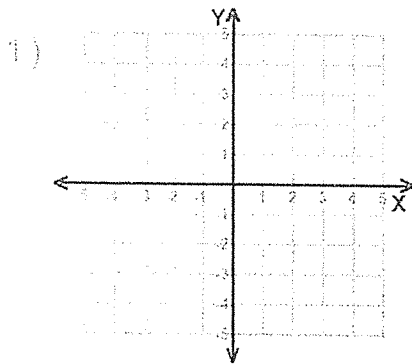
Name : _____

Score : _____

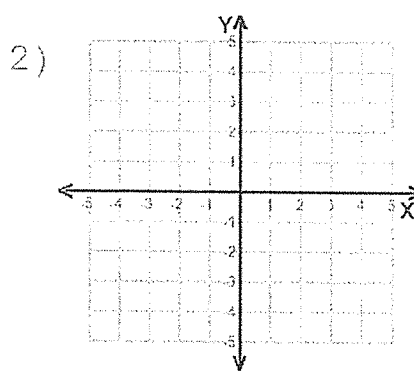
Teacher : _____

Date : _____

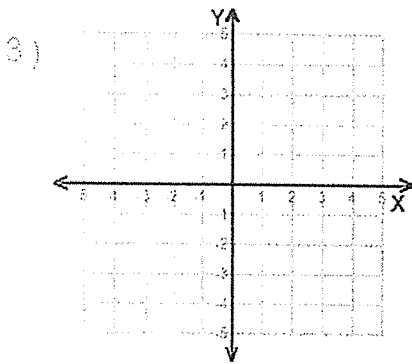
Sketch the Graph of Each Line



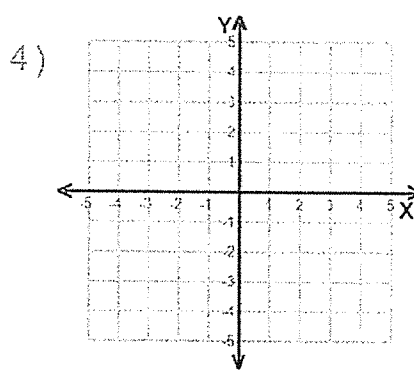
$$y = -\frac{7}{6}x + 2$$



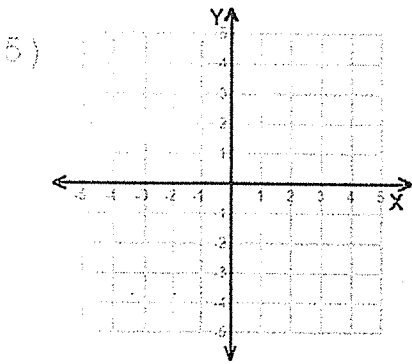
$$y = -\frac{7}{5}x - 3$$



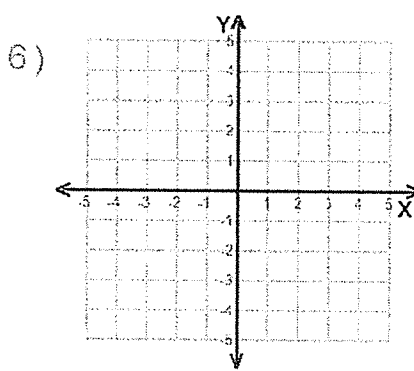
$$y = -\frac{4}{3}x + 1$$



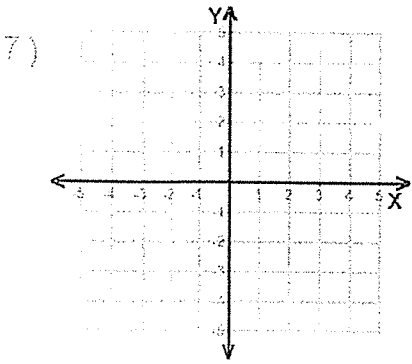
$$y = \frac{1}{2}x - 1$$



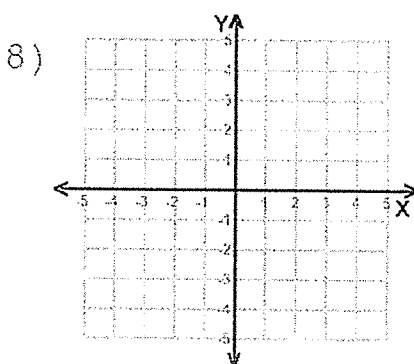
$$y = -\frac{1}{3}x + 1$$



$$y = -3x - 3$$



$$y = \frac{3}{2}x + 3$$



$$y = -6x - 3$$



Name : _____

Score : _____

Teacher : _____

Date : _____

Write the Equation from Each Line

